

OEM Flow sensor type 200 for liquid media

Flow range

0.5 ... 150 l/min

Nominal diameters

DN 6 / 8 / 10 / 15 / 20 / 25

Temperature measurement

-40 ... +125 °C



The flow sensor Type 200 is based on the Karman Vortex principle. You can choose between various versions. The Type 200 is available with or without temperature measurement. With no moving parts the flow sensor is not sensitive to debris, has marginal pressure loss and high accuracy.

- Low cost product with high levels of accuracy
- Temperature non-sensitive measuring principle
- Excellent media resistance (measuring element not in contact with the media)
- Wide application temperature range
- Marginal loss of pressure
- Measuring element not sensitive to debris
- Direct temperature measurement in the medium with PT1000 or NTC
- Drinking water approval KTW, W270, WRAS, ACS

Technical overview

Flow measurement

Measuring principle	Vortex		Piezoelectric sensor element
Measuring range			0.5 ... 150 l/min
Nominal diameters			DN 6 / 8 / 10 / 15 / 20 / 25
Accuracy at < 50% fs (water)			< 1% fs
Accuracy at > 50% fs (water)			< 2% measuring value
Response time	Immediately Therefore suitable for spigot use.	Signal delay	< 100 ms
		Response time	< 5 ms

Temperature measurement (≥ DN 8)

Measuring principle	Resistance		PT1000 NTC
	Measuring range		-40 ... +125 °C
PT1000	Accuracy	Class B DIN EN 60751	@ T = 0 °C ± 0.3 K @ T ≠ 0 °C ± 0.3 K ± 0.005 * ΔT
	Measuring range		-40 ... +125 °C
NTC	Accuracy	NTC 10 kOhm @ 25 °C β = 4050	@ T = +25 °C ± 0.7 K @ T < +25 °C ± 0.7 K ± 0.025 * ΔT @ T > +25 °C ± 0.7 K ± 0.050 * ΔT
Temperature influences	Self-heating at temperature sensor		1 K/mW
	Conduction resistance to connector		0.8 Ohm

Operating conditions

Medium	Suitable for heating circuit water with the usual additives Drinking water		Other medium on request
Temperature	Media		< +125 °C
	Ambient		-15 ... +85 °C
	Storage		-30 ... +85 °C
Max pressure and medium temperature	(for lifetime)		12 bar at +40 °C
	(for lifetime)		6 bar at +100 °C
	(for 600 hours)		4 bar at +125 °C
	(for 2 hours)		4 bar at +140 °C
	(max. test pressure)		18 bar at +40 °C
Cavitation	The following equation is valid to prevent cavitation:		$P_{\text{abs. outlet}} / P_{\text{difference}} > 5.5$

Materials in contact with medium (FDA-conform)

Sensor paddle	ETFE
Case with damming body	PA6T/6I (40% GF)
Sealing material	FPM EPDM (perox.)

Electrical overview

Power supply	U_{IN}	5 VDC ±5%
Output flow (Q)	Frequency Square pulse signal	$U_{\text{OUT-Q, Frequency}}$ < 0.1 ... > 4.75 V
Output temperature (T)	Resistant signal	$R_{\text{OUT PT1000}}$ PT1000 class B DIN EN 60751 $R_{\text{OUT NTC}}$ NTC 10 kOhm @ 25 °C; β = 4050
Electrical connection and protection class	Connector RAST 2.5 / 2.54	IP 20
	Connector M12x1	IP 65
Load against GND or IN		> 10 kOhm / < 10 nF
Current consumption I_{IN} load free	standard	< 6 mA
	enhanced EMC protection	< 10 mA

Weight

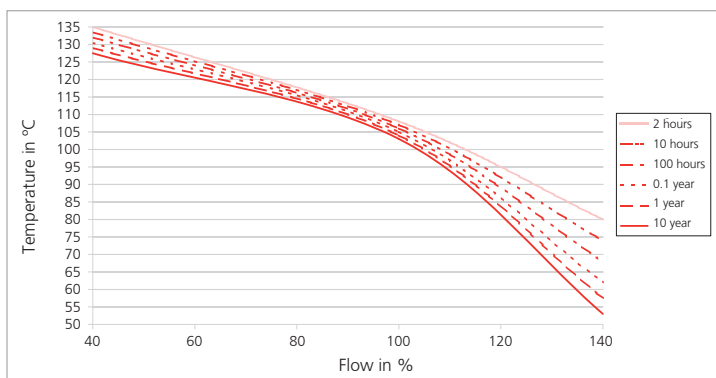
DN 6 / 8	~ 47 g
DN 10	~ 57 g
DN 15	~ 68 g
DN 20	~ 92 g
DN 25	~ 100 g

Test / Admissions

Electromagnetic compatibility	acc. to EN 61326-2-3 (no protection at surge)
Drinking water approval	WRAS Plastic parts with KTW and W270 approval ACS

Packaging (multiple packaging)	Connection copper tube	Outside thread K	Outside thread G
DN 6	-	Blister 30x	Blister 30x
DN 8 / 10	Blister 30x	Blister 30x	Blister 30x
DN 15	Blister 30x	Blister 30x	Blister 20x
DN 20	Blister 20x	Blister 20x	Blister 15x
DN25	-	Blister 15x	Blister 15x

Minimum life span on high flow rate and high temperature



Nominal diameters dependent variables

Nominal diameters	Tube connection	Measuring range	Quantity per pulse @ 50% fs	Flow rate	Frequency range	Q ₀	K _f	Pressure drop ^{1), 2)}
DN 6	K	0.5 ... 10 l/min	0.386 ml	0.074 ... 1.474 m/s	27 ... 426 Hz	-0.14	0.0238	240 * Q ²
	G							
DN 8	K	0.9 ... 15 l/min	0.638 ml	0.133 ... 2.210 m/s	30 ... 384 Hz	-0.3	0.0398	85.00 * Q ²
	G		0.631 ml		30 ... 388 Hz		0.0394	
	N		0.614 ml		31 ... 399 Hz		0.0383	
DN 10	K	1.8 ... 32 l/min	1.399 ml	0.265 ... 4.716 m/s	24 ... 379 Hz	-0.2	0.0850	22.50 * Q ²
	G		1.370 ml		24 ... 387 Hz		0.0832	
	N		1.384 ml		24 ... 383 Hz		0.0841	
DN 10	K	2.0 ... 40 l/min	1.403 ml	0.295 ... 5.895 m/s	26 ... 473 Hz	-0.2	0.0850	22.50 * Q ²
	G		1.373 ml		26 ... 483 Hz		0.0832	
	N		1.388 ml		26 ... 478 Hz		0.0841	
DN 15	K	3.5 ... 50 l/min	3.047 ml	0.290 ... 4.145 m/s	20 ... 272 Hz	-0.2	0.1843	6.70 * Q ²
	G		3.016 ml		20 ... 275 Hz		0.1824	
	N		3.077 ml		20 ... 270 Hz		0.1861	
DN 20	K	5.0 ... 85 l/min	6.213 ml	0.265 ... 4.509 m/s	14 ... 227 Hz	-0.3	0.3757	2.50 * Q ²
	G		6.125 ml		14 ... 230 Hz		0.3701	
	N		6.208 ml		14 ... 227 Hz		0.3751	
DN 25	K	9.0 ... 150 l/min	12.412 ml	0.283 ... 4.709 m/s	12 ... 201 Hz	-0.2	0.7467	0.92 * Q ²
	G		12.251 ml		12 ... 204 Hz		0.7370	

Characteristic line formula frequency output

$$Q_v = K_f * f + Q_0$$

Formula quantity per pulse [litres/pulse]

$$\frac{\text{quantity}}{\text{pulse}} = \frac{Q_v * K_f}{60 * (Q_v - Q_0)}$$

(Influence of viscosity for media other than water - see page 8)

Legend

Q _v	Volume flow rate	[l/min]
Q ₀	Axis intercept	[l/min]
K _f	Coefficient frequency output	[(l/min) / f]
f	Frequency	[Hz]
$\frac{\text{quantity}}{\text{pulse}}$	Quantity per pulse	$\frac{\text{litres}}{\text{pulse}}$

¹⁾ incl. 3xDi inlet and outlet side

²⁾ Pv in Pa; Q in l/min

				1	2	3	4	5	6	7
Order code selection table				200.	X	X	X	X	X	X
Version	Flow			9						
	Flow and temperature (PT1000)			8			1			
	Flow and temperature (NTC)			7			1			
Nominal diameters / flow range	DN 6	0.5 ...	10 l/min.	9	0	6	1			K,G
	DN 8	0.9 ...	15 l/min.		0	8	1			
	DN 10	1.8 ...	32 l/min.		1	0				
	DN 10	2.0 ...	40 l/min.		1	1				
	DN 15	3.5 ...	50 l/min.		1	5				
	DN 20	5.0 ...	85 l/min.		2	0				
	DN 25	9.0 ...	150 l/min.		2	5				K,G
Output / power supply	Frequency output, 0 ... 5 VDC (Square pulse signal)			9			0			
	Frequency output, 0 ... 5 VDC (Square pulse signal)						1			
Electrical connection	3-pole connector RAST 2.5			9			0			
	2x3-pole connector RAST 2.5			7,8			1	1		
	3-pole connector RAST 2.5 (condensation protection)			9				2		
	2x3-pole connector RAST 2.5 (condensation protection)			7,8			1	3		
	3-pole circular connector M12x1 (condensation protection)			9			1	4		
	5-pole circular connector M12x1 (condensation protection)			7,8			1	5		
Sealing material	EPDM Ethylene propylene rubber (peroxidically cross-linked)								1	
	FPM ¹⁾ Fluoro elastomer								2	
Tube connection	connection copper tube (max. DN 20)									N
	outside thread K (see dimension diagram)									K
	outside thread G (see dimension diagram)									G

Accessories ²⁾

				Order number
Connection kit ³⁾ DN 8, 10 with copper tube				113775
Connection kit ³⁾ DN 8, 10 with adapter Rp 3/8 Stainless steel 1.4305/AISI 303				113776
Connection kit ³⁾ DN 15 with copper tube				113777
Connection kit ³⁾ DN 15 with adapter Rp 1/2 Stainless steel 1.4305/AISI 303				113778
Connection kit ³⁾ DN 20 with copper tube				113779
Connection kit ³⁾ DN 20 with adapter Rp 3/4 Stainless steel 1.4305/AISI 303				113780
Connector RAST 2.5 with cable 3-pole 30 cm				111668
Connector RAST 2.5 with cable 3-pole 110 cm				101817
Straight-wire box for connector M12x1 with cable 3-pole 200 cm				114605
Corner-wire box for connector M12x1 with cable 3-pole 200 cm				114604
Connector RAST 2.54 with cable 2x3 pole 110 cm (with temperature)				114629
Straight-wire box for connector M12x1 with cable 5-pole 200 cm (with temperature)				114564
Corner-wire box for connector M12x1 with cable 5-pole 200 cm (with temperature)				114563
Straight-wire box for connector M12x1 screwing terminal 5-pole				115024
Clip for DN 8,10				112116
Clip for DN 15				110941
Clip for DN 20				112122
O-Ring for DN 8, DN 10 EPDM ø 13.95 x 2.62 Copper tube and adapter				112124
O-Ring for DN 15 EPDM ø 17.86 x 2.62 Copper tube and adapter				112265
O-Ring for DN 20 EPDM ø 21.89 x 2.62 Copper tube and adapter				112723
O-Ring for DN 25 EPDM ø 31 x 3 (as a replacement, already assembled)				112792
Connection copper tube for DN 8, 10 L=150 mm				112121
Connection copper tube for DN 15 L=150 mm				112211
Connection copper tube for DN 20 L=150 mm				112306
Adapter for DN 8 und DN 10 Rp 3/8 Stainless steel 1.4305/AISI 303				112655
Adapter for DN 15 Rp 1/2 Stainless steel 1.4305/AISI 303				112660
Adapter for DN 20 Rp 3/4 Stainless steel 1.4305/AISI 303				112661

AMP connector ⁴⁾	Manufacturers order number	Colour	for flexible wire
	3-829868-3	grey	7 x 0.20 mm = 0.22 mm ²
			12 x 0.20 mm = 0.35 mm ²
	1-966194-3	beige	7 x 0.25 mm = 0.35 mm ²

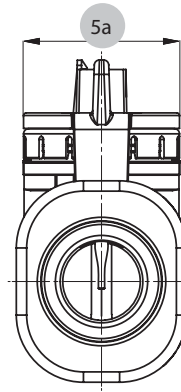
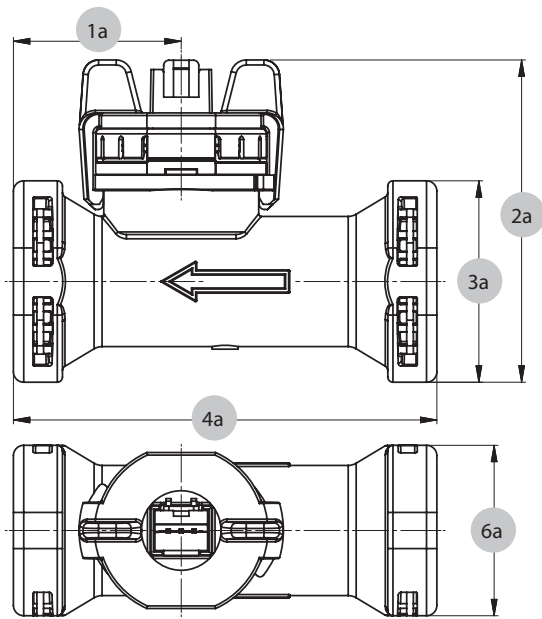
¹⁾ No drinking water approval

²⁾ Accessories supplied loose

³⁾ Connection set includes: 2x Clip, 2x Copper tube or Adapter and 2x O-Ring

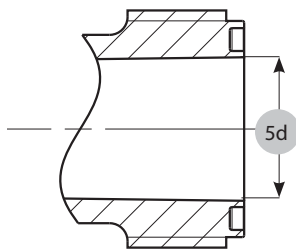
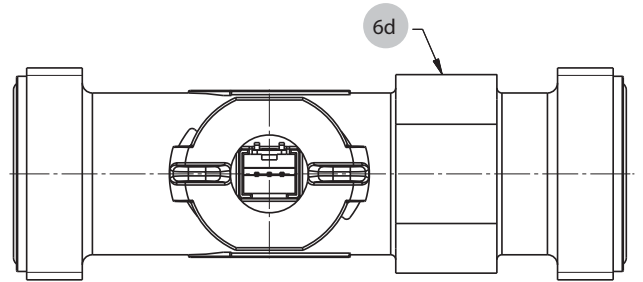
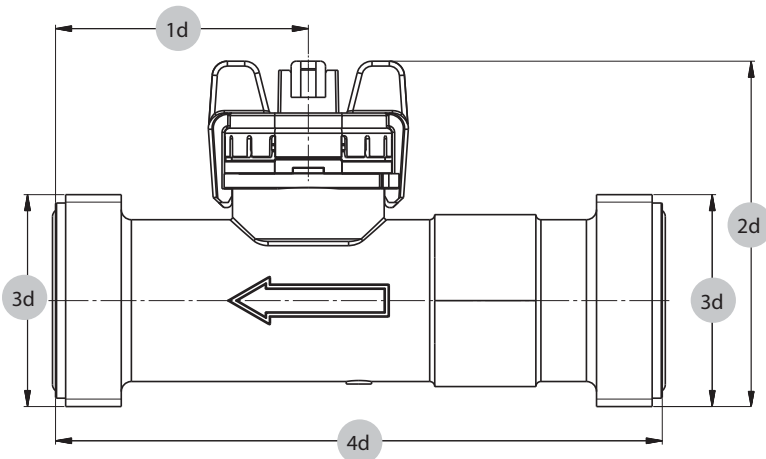
⁴⁾ To order separately directly from the manufacturer. Find further information in the manufacturers specification no. 114 18049

Dimension diagram DN 8, 10, 15, 20



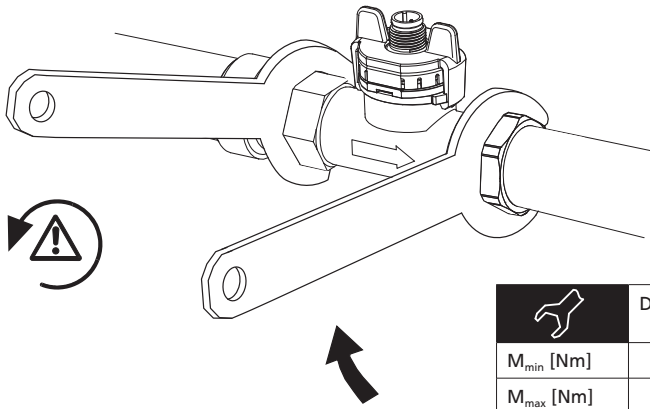
	1a	2a	3a	4a	5a	6a
DN8	29.5	59.0	32.9	72	30.2	28.9
DN10	32.5	57.3	32.9	77	30.2	28.9
DN15	32.5	62.4	39.0	82	30.2	33.0
DN20	39.3	66.3	43.0	105	30.2	37.4

Dimension diagram DN 6, 8, 10, 15, 20, 25



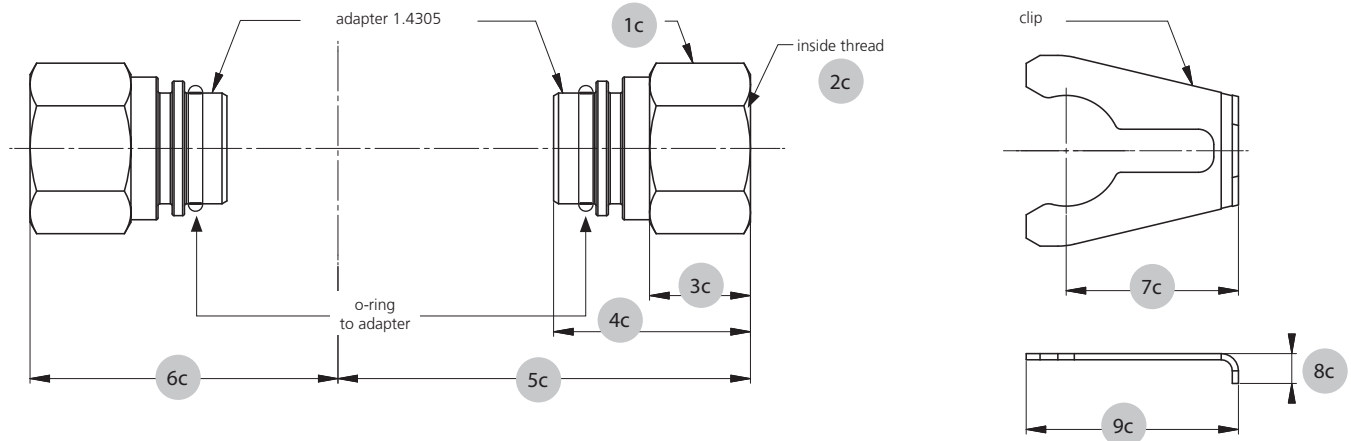
		1d	2d	3d	4d	5d	6d
DN6	K	43.7	53.0	G ½	77	11.5	12
DN6	G	48.2	55.7	G ¾	86	11.5	12
DN8	K	43.7	53.0	G ½	77	11.5	12
DN8	G	48.2	55.7	G ¾	86	11.5	12
DN10	K	35.0	51.3	G ½	81	11.5	19
DN10	G	39.5	54.1	G ¾	90	11.5	19
DN15	K	36.6	56.1	G ¾	87	16	22
DN15	G	41.6	59.5	G 1	97	16	22
DN20	K	36.6	61.5	G 1	105	20	27
DN20	G	42.6	65.8	G 1¼	117	20	27
DN25	K	50.0	68.3	G 1¼	120	26	34
DN25	G	56.0	71.3	G 1½	132	26	34

Admissible locking torque



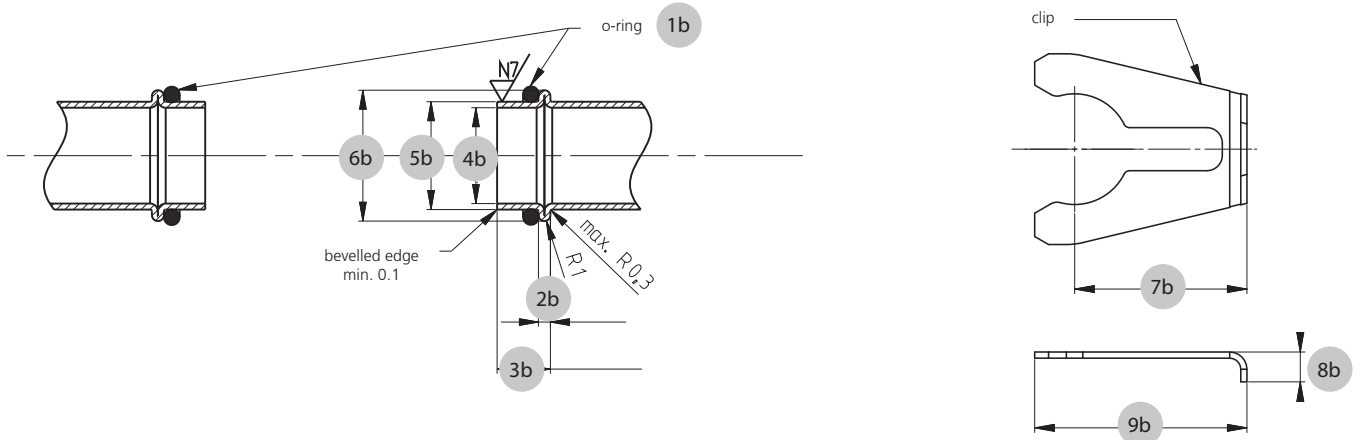
	DN6/8/10 G ½	DN6/8/10 G ¾	DN15 G ¾	DN15 G1	DN20 G1	DN20 G1 ¼	DN25 G1 ¼	DN25 G1 ½
M_{min} [Nm]	1	1	1	2	2	2.5	2.5	2.5
M_{max} [Nm]	12	12	12	12	12	15	15	15

Accessories DN 8, 10, 15, 20



	1c	2c	3c	4c	5c	6c	7c	8c	9c
DN8	22	Rp ¾ DIN 2999 length min. 9	14.0	29	57.65	44.65	24.5	7.3	30.8
DN10	22	Rp ¾ DIN 2999 length min. 9	14.0	29	59.65	47.55	24.5	7.3	30.8
DN15	24	Rp ½ DIN 2999 length min. 11.5	16.4	32	67.05	50.05	28.0	7.6	34.5
DN20	30	Rp ¼ DIN 2999 length min. 13	18.5	38	82.25	58.85	28.0	8.7	34.5

Geometry of customer's connection tube DN 8, 10, 15, 20

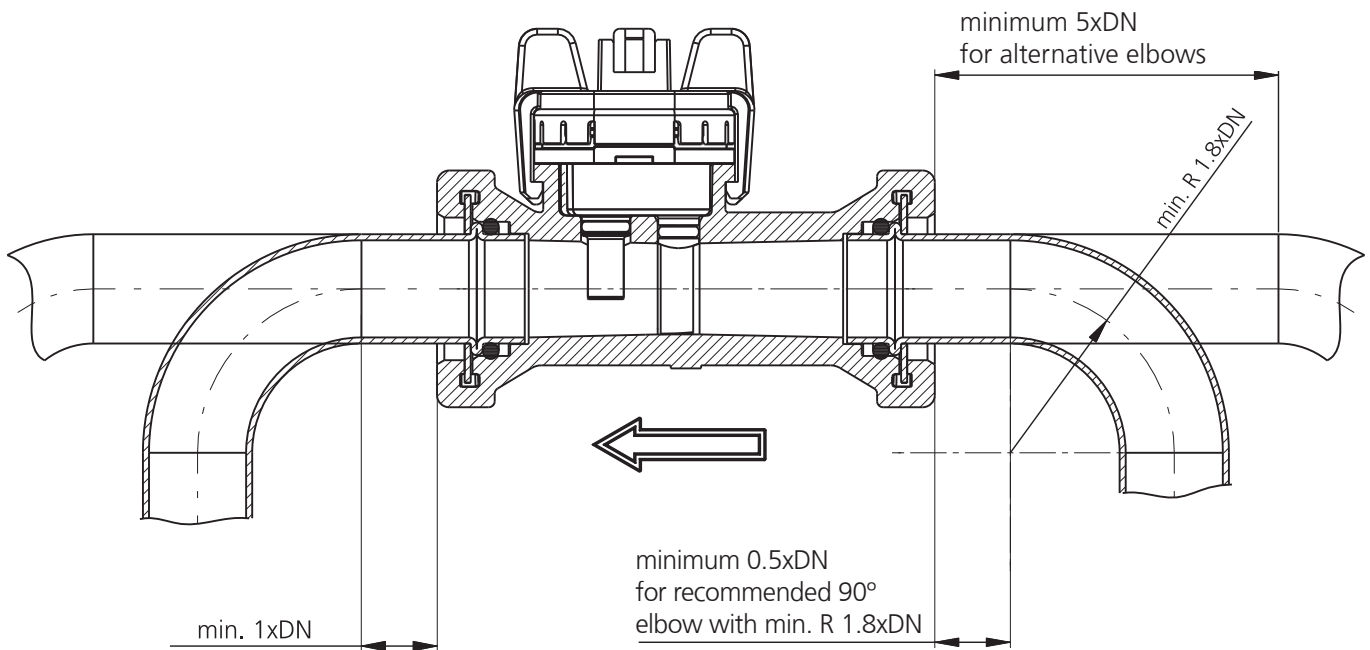


	1b	2b	3b	4b	5b	6b	7b	8b	9b
DN8	∅ 13.95x2.62	2 ± 0.2	8.9 ± 0.2	∅ 13 ± 0.2	∅ 15.00 ± 0.08	∅ 18.88 ± 0.1	24.5	7.3	30.8
DN10	∅ 13.95x2.62	2 ± 0.2	8.9 ± 0.2	∅ 13 ± 0.2	∅ 15.00 ± 0.08	∅ 18.88 ± 0.1	24.5	7.3	30.8
DN15	∅ 17.86x2.62	2 ± 0.2	8.9 ± 0.3	∅ 16 ± 0.2	∅ 18.00 ^{+0.08} _{-0.06}	∅ 21.85 ± 0.1	28.0	7.6	34.5
DN20	∅ 21.89x2.62	2 ± 0.2	12.9 ± 0.3	∅ 20 ± 0.2	∅ 22.00 ^{+0.08} _{-0.06}	∅ 25.85 ± 0.1	28.0	8.7	34.5

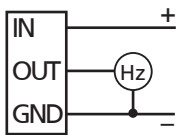
Tube mounting instructions

Consider the following to ensure the correct function of the sensor.

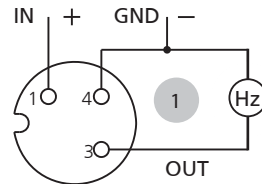
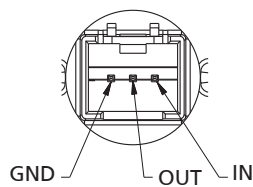
- Only diameter changes from large to small are allowed.
- Avoid repeated elbows in the same level at entryside



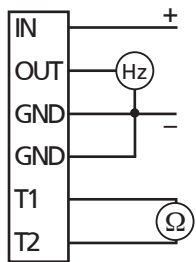
Electrical connections



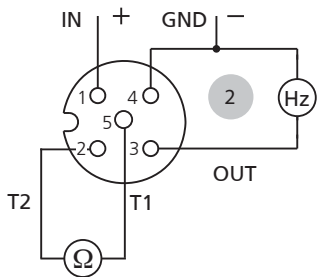
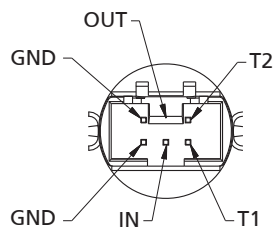
RAST 2.5 without temperature output



Connector M12x1 without temperature output



Connector 2x3-poles with temperature output

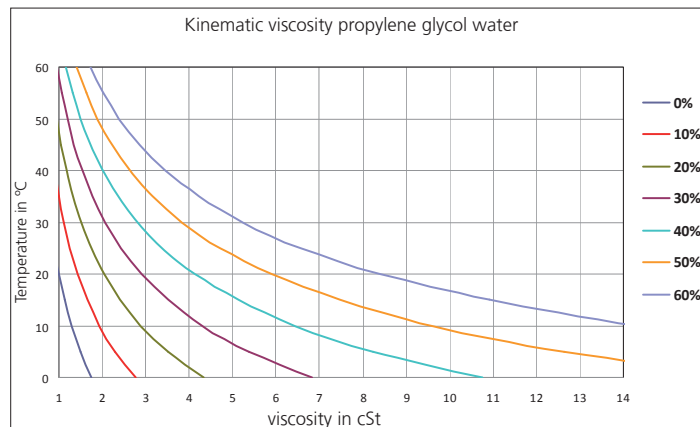
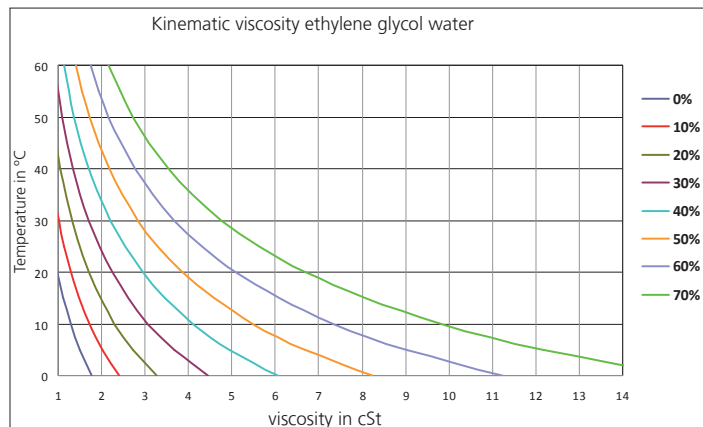


Connector M12x1 with temperature output

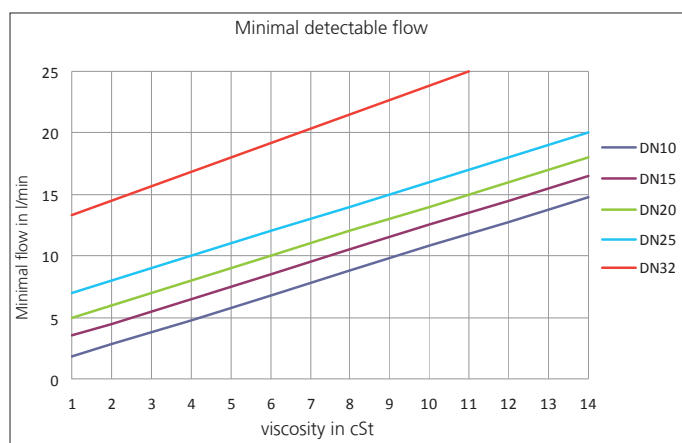
Pin	Colour
1	brown
3	blue
4	black
1	brown
2	white
3	blue
4	black
5	gray

With the following definitions we are able to correct the influence of media with higher viscosity than water (= media viscosity > 1.8 cSt) in order to reach a measuring accuracy of 3% fs in the range of 1.8 - 4 cSt and of 4% in the range of 4 - 14 cSt (ν = viscosity in cSt).

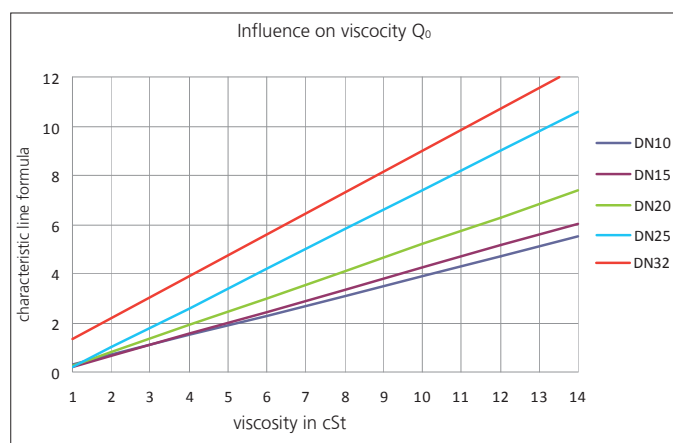
Definition of viscosity of glycol-water-compound



Definition of respond threshold Q_{min}



Definition of characteristic line formula $Q_v = k_f * f + Q_0$



Formula respond threshold Q_{min} in l/min

< DN 10 not possible

DN10: $Q_{min} = \nu + 0.8$

DN15: $Q_{min} = \nu + 2.5$

DN20: $Q_{min} = \nu + 4$

DN25: $Q_{min} = \nu + 8$

Formula characteristic line for $Q \geq Q_{min}$ in l/min

< DN 10 not possible

Frequency output:

DN10: $Q = K_f * f - 0.40\nu + 0.20$

DN15: $Q = K_f * f - 0.45\nu + 0.25$

DN20: $Q = K_f * f - 0.55\nu + 0.25$

DN25: $Q = K_f * f - 0.80\nu + 0.60$

Huba Control AG

Headquarters

Industriestrasse 17
5436 Würenlos
Telefon +41 (0) 56 436 82 00
Telefax +41 (0) 56 436 82 82
info.ch@hubacontrol.com

Huba Control AG

Niederlassung Deutschland

Schlattgrabenstrasse 24
72141 Walddorfhäslach
Telefon +49 (0) 7127 23 93 00
Telefax +49 (0) 7127 23 93 20
info.de@hubacontrol.com

Huba Control SA

Succursale France

Rue Lavoisier
Technopôle Forbach-Sud
57602 Forbach Cedex
Téléphone +33 (0) 387 847 300
Télécopieur +33 (0) 387 847 301
info.fr@hubacontrol.com

Huba Control AG

Vestiging Nederland

Hamseweg 20A
3828 AD Hoogland
Telefoon +31 (0) 33 433 03 66
Telefax +31 (0) 33 433 03 77
info.nl@hubacontrol.com

Huba Control AG

Branch Office United Kingdom

Unit 13 Berkshire House
County Park Business Centre
Shrivenham Road
Swindon - Wiltshire SN1 2NR
Phone +44 (0) 1993 776667
Fax +44 (0) 1993 776671
info.uk@hubacontrol.com